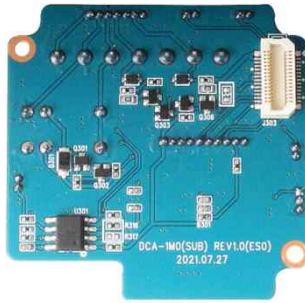
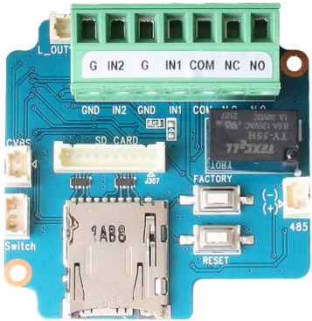


# DCA-IPSUB

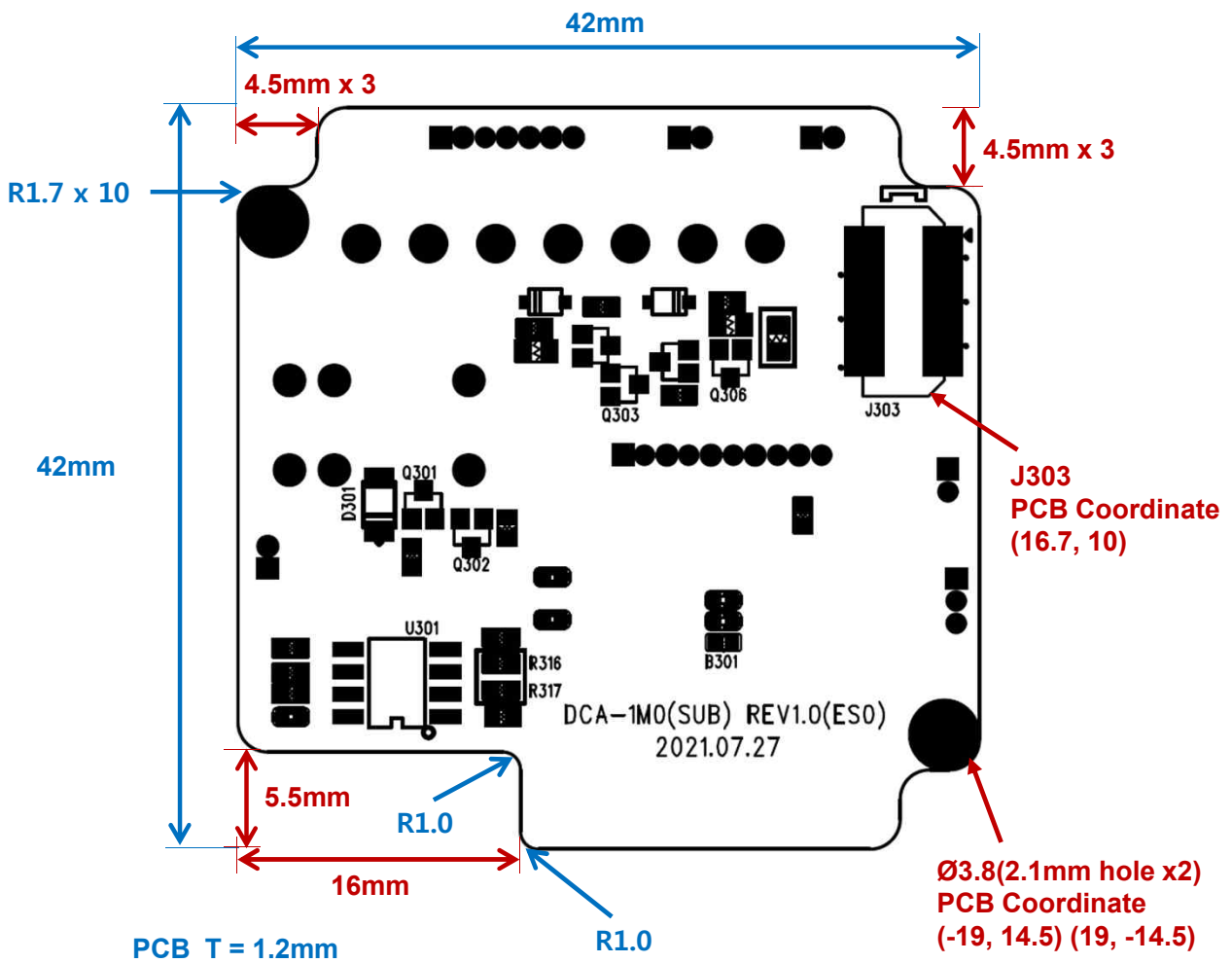
## IP SUB BOARD



### Main Features

- IP Subsidiary Board for 42x42mm IP camera Module
- Audio In/Out (Mainly Line Format)
- RS485 Out (Bypassing)
- Alarm In/Out (2 Independent Inputs, 1 Output)
- Micro-SD Memory Card (Video Saving)
- Factory/System Reset
- Compatible for DCC-1M0
- 42x42mm Type 1-board

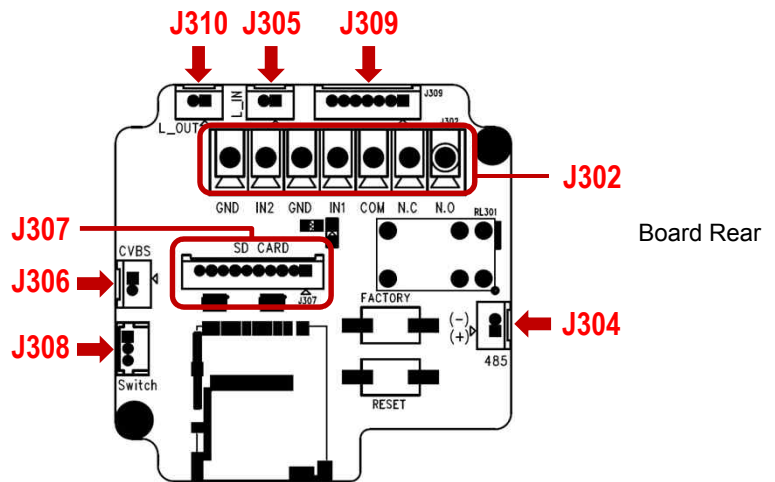
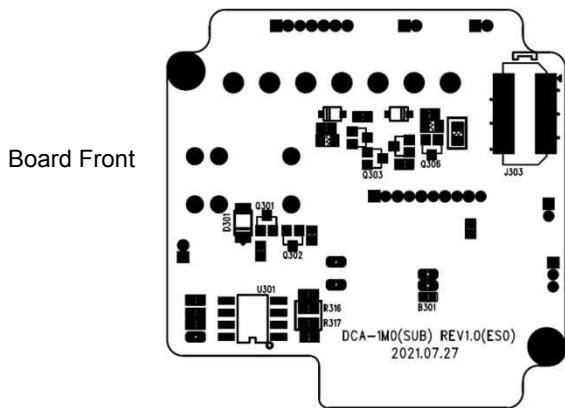
### Dimension



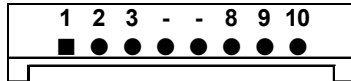
# DCA-IPSUB

## IP SUB BOARD

### Pin Connections



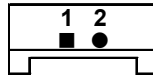
### J307 – SD Card



No.	Pin Item	No.	Pin Item
1	+3.3V	6	SDIO0_CLK
2	GND	7	SDIO0_D0
3	SDIO0_D2	8	SDIO0_D1
4	SDIO0_D3	9	SDIO0_nCD
4	SDIO0_CMD	10	GND

Wafer DIP type: 1.25mm pitch – 10 pin  
 Manufacturer: **Yeonho**  
 MFG Part Number: **12512WS-10B**

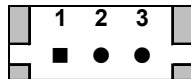
### J306 – CVBS



No.	Pin Item	No.	Pin Item
1	CVBS Out	2	GND

Wafer DIP type: 1.25mm pitch – 2 pin  
 Manufacturer: **Yeonho**  
 MFG Part Number: **12512WS-02B**  
 Not In Use for DCC-1M0

### J308 – Switch



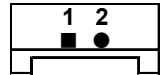
No.	Pin Item	No.	Pin Item
1	SW_Factory	3	GND
2	SW_Reset		

Wafer DIP type: 1.25mm pitch – 3 pin  
 Manufacturer: **Molex**  
 MFG Part Number: **53047-0310**

### J302 – ALARM IN/OUT

Terminal Block: 3.81mm pitch – 7 pin  
 Copy of J309 for easy contact

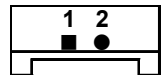
### J310 – LINE OUT



No.	Pin Item	No.	Pin Item
1	LINE OUT	2	GND

Wafer DIP type: 1.25mm pitch – 2 pin  
 Manufacturer: **Yeonho**  
 MFG Part Number: **12512WS-02B**

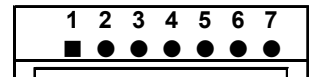
### J305 – LINE IN



No.	Pin Item	No.	Pin Item
1	LINE IN	2	GND

Wafer DIP type: 1.25mm pitch – 2 pin  
 Manufacturer: **Yeonho**  
 MFG Part Number: **12512WS-02B**

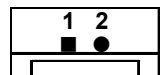
### J309 – ALARM IN/OUT



No.	Pin Item	No.	Pin Item
1	N/O (Normal Open)	5	GND 1
2	N/C (Normal Close)	6	ALARM 2 IN
3	COM (Common)	7	GND 2
4	ALARM 1 IN		

Wafer DIP type: 1.25mm pitch – 7 pin  
 Manufacturer: **Yeonho**  
 MFG Part Number: **12512WS-07B**

### J304 – RS485



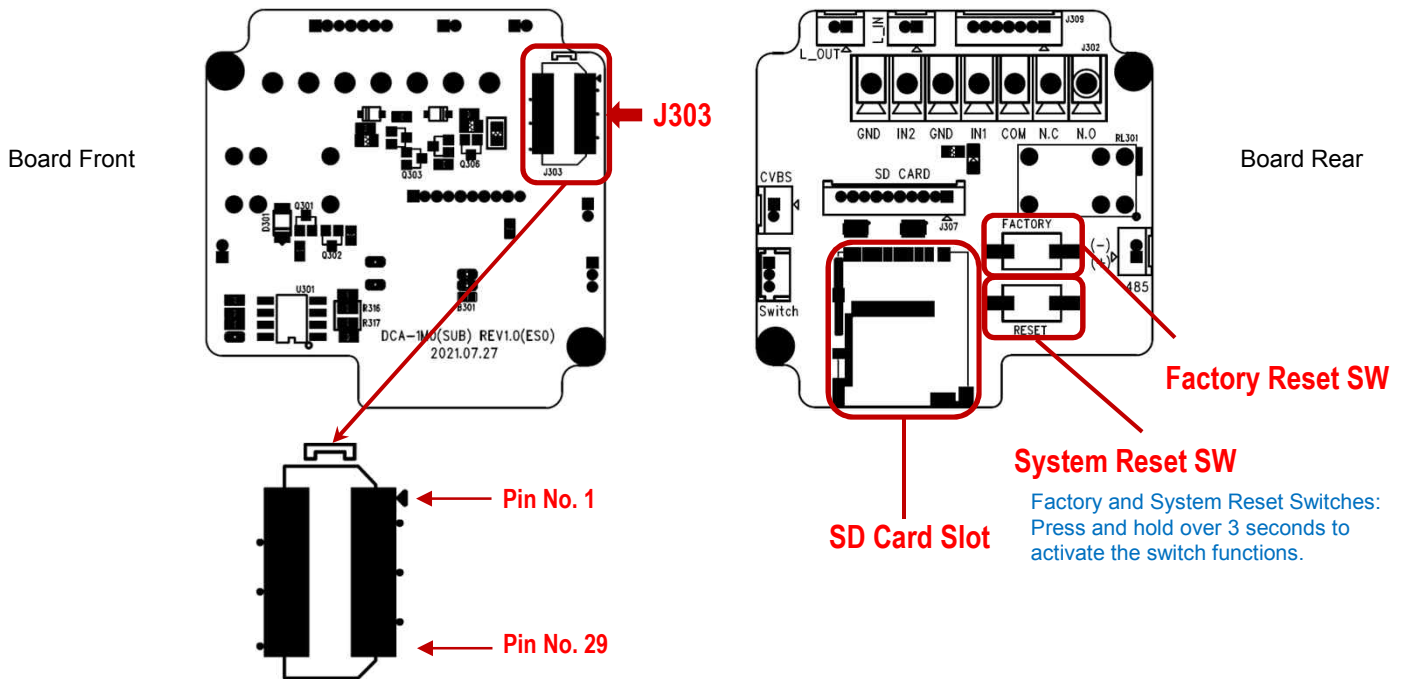
No.	Pin Item	No.	Pin Item
1	RS485 (TX +)	2	RS485 (TX -)

Wafer DIP type: 1.25mm pitch – 2 pin  
 Manufacturer: **Yeonho**  
 MFG Part Number: **12512WS-02B**

# DCA-IPSUB

## IP SUB BOARD

### Pin Connections



### J303 – to IP Board

Wafer SMD type: **0.5mm pitch – 30 pin**

Manufacturer: **Panasonic**

MFG Part Number: **AXK5S30047YG (Header)**

- Matching Part Number: **AXK6S30547YG (Socket)**

PCB XY Coordinates: **(16.7, 10)**

Connector on IP Sub board to DCC-1M0

Connector on DCC-1M0 to IP Sub board

Features: **Line Audio In/Out, RS485 In/Out, Alarm In(2ea)/Out(1ea), Micro SD Memory, Factory/System Reset**

No.	Pin Item	No.	Pin Item
1	RESET (Out)	16	DC 5V (In)
2	DC 3.3V (In)	17	GND
3	FACTORY DEFAULT (Out)	18	TXRX LED (In)
4	DC 3.3V (In)	19	GND
5	TXD – UART 3.3V (In)	20	GND
6	GND	21	ALARM2 (Out)
7	RXD – UART 3.3V (Out)	22	GND
8	LINE(AUDIO) (Out)	23	SD Card SDIO0 D0 (In/Out)
9	ALARAM1 (Out)	24	GND
10	LINE(AUDIO) (In)	25	SD Card SDIO0 D1 (In/Out)
11	ALARM (In)	26	SD Card SDIO0 CMD (In)
12	GND	27	SD Card SDIO0 D2 (In/Out)
13	CVBS (Out) : Not In Use for DCC-1M0	28	SD Card SDIO0 CLK (In)
14	DC 5V (In)	29	SD Card SDIO0 D3 (In/Out)
15	GND	30	SD Card SDIO0 nCD (Out)