

2MP THINE CAMERA

GENERAL DESCRIPTION

The camera is equipped with OmniVision CMOS image sensor OX03C and Thine TH241A. It has an automotive-grade sensor with a well-tuned Image Signal Processor (ISP) that produces exceptional image quality, which comes with an IP67-rated enclosure – is supplied with an M12 lens that is focused and glued in our factory.



KEY PARAMETERS

Sensor	OmniVision OX03C10 RRGB
ISP	GW5200
Image Size	1/2.6 inch CMOS
Output Pixels	1920H*1080V
Pixel Size	3um*3um
Frame Rate	1920*1080@30fps
HDR Support	Yes
LFM	Yes
Output data	YUV422@8bit
Serializer	THINE TH241A
Camera Interface	Coaxia
Power Supply	9~16V POC
Current	<250mA@12VDC
Connector	Amphenol Fakra (Z Code)
Operating temp. range	-40~+85°C
Dimensions	W: 30mm, L:30mm, H:22.5mm
Weight	<50g



Features

- Output format: Uncompressed YUV422 format
- S-mount IP67 compliant lens focused and glued at our factory
- Multi-Camera synchronization Support
- Support different focal length lens
- FCC , CE and RoHS



Application

- Automotive
- ADAS + Viewing Fusion
- High Dynamic Range Imaging
- Autonomous Driving
- Robots





HARDWARE SETTING

Serializer	
Model	TH241A
I2C Address	0x68 (8bit address)

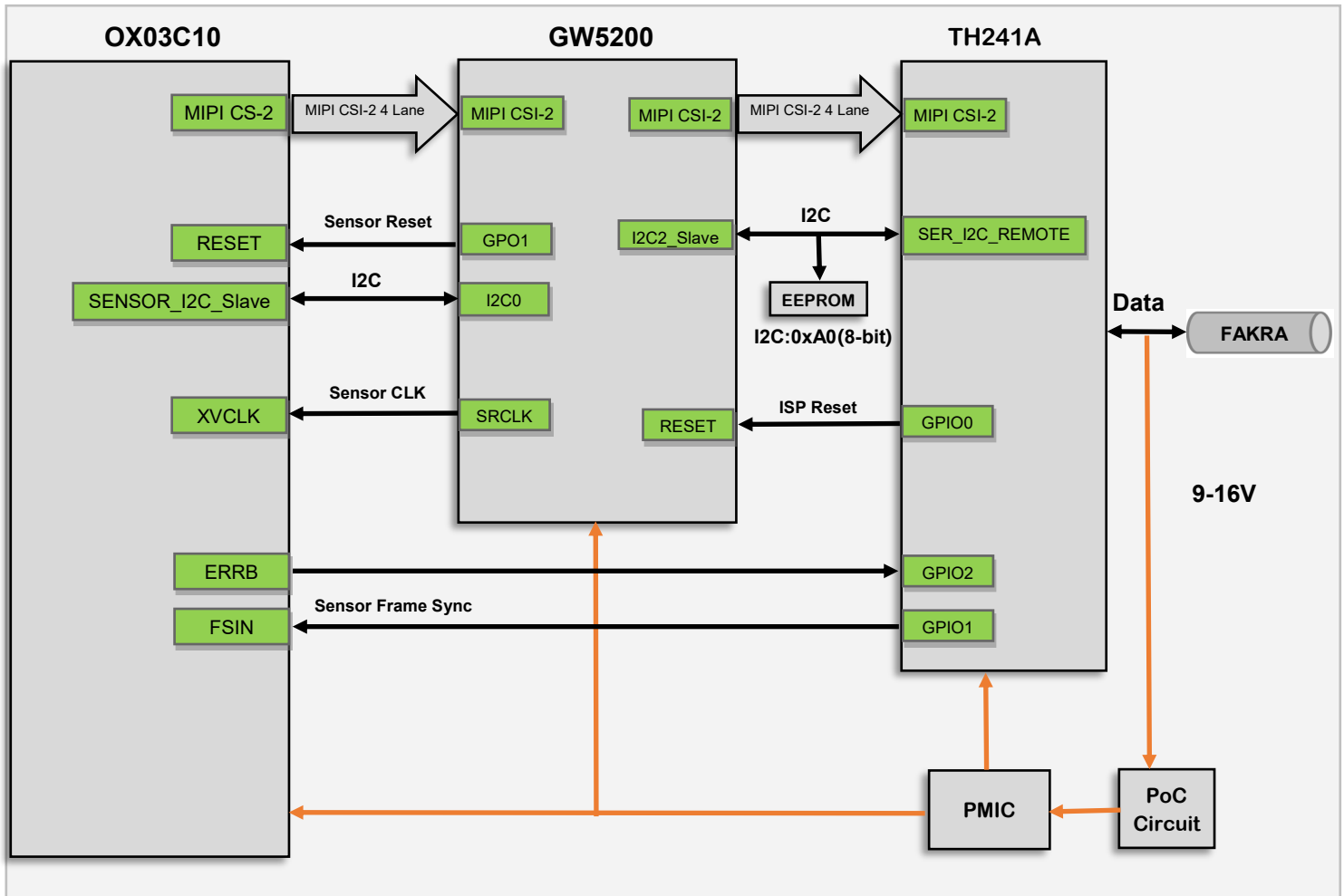
ISP	
Model	GW5200
I2C Address	0xDA (8bit address)
Reset	Controlled by TH241A GPIO0

Sensor	
Model	OX03C10
I2C Address	0x6c (8bit address)
Frame Sync	Controlled by TH241A GPIO1
Error	Controlled by TH241A GPIO2

Interface Circuit Diagram



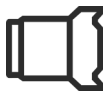
 **BLOCK DIAGRAM**



Block Diagram

- ※ The camera module has a built-in ISP that outputs YUV data. The backend does not need to configure an image sensor, but only needs to configure SerDes;
- ※ For SerDes setting code, please contact Sales@sensing-wolrd.com ;
- ※ The camera has built-in **EEPROM**, which can store camera internal parameters, please note before placing the order;



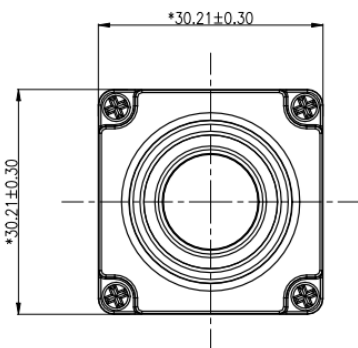


MODEL AND LENS

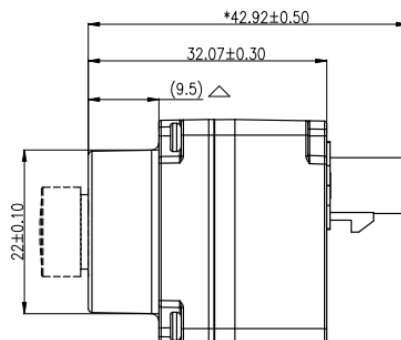
Model	HFOV	VFOV	F.No	EFL	Max Optical Distortion	Water-proof	Lens Mount
SG2-OX03CC-5200-TH241A-H30X	30°	17°	1.6	10.96mm	-2%	IP67	M12
SG2-OX03CC-5200-TH241A-H60F1	60°	32°	1.6	5.8mm	-21.5%	IP67	M12
SG2-OX03CC-5200-TH241A-100F1	100°	53°	1.6	3.55mm	-45%	IP67	M12
SG2-OX03CC-5200-TH241A-H120H	118°	62°	2.0	3mm	-62%	IP67	M12
SG2-OX03CC-5200-TH241A-H190X	196°	112°	2.0	1.51mm	-155%	IP67	M12



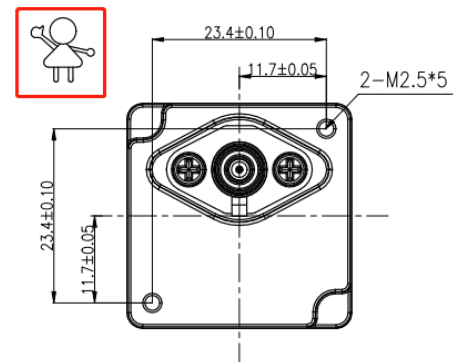
DIMENSIONS



Front View



Side View



Rear View

Note:

△ There are two different heights of this size to match different lenses. Please refer to 3D digital analog size for details.



This icon indicates the imaging direction is positive.

Dimension

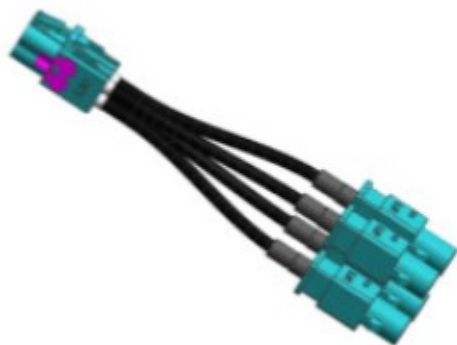




ACCESSORIES

◇ Coaxial Cable

Product Name	Order PN#	Specification
Mini-fakra Coaxial Cable 4-in-1 (TE)	T4JC-JS-ZZZZ-0500A	Mini-fakra, 4 in 1, 0.5m, Male to Female
Mini-fakra Coaxial Cable 4-in-1(Rosenberg)	R4PC-JS-ZZZZ-0500L	Mini-fakra, 4 in 1, 0.5m, Male to Female
Mini-fakra Coaxial Cable 4-in-1(Rosenberg)	R4JC-JS-ZZZZ-0500L	Mini-fakra, 4 in 1, 0.5m, Female to Female
Camera coaxial Cable	SG-JSZPSZ2000L	2M, Male to Female, IP67
Camera coaxial Cable	SG-JSZJSZ2000L	2M, Female to Female, IP67
Camera coaxial Cable	SG-JSZPSZ3000L	3M, Male to Female, IP67
Camera coaxial Cable	SG-JSZJSZ3000L	3M, Female to Female, IP67
Camera coaxial Cable	SG-JSZPSZ5000L	5M, Male to Female, IP67
Camera coaxial Cable	SG-JSZJSZ5000L	5M, Female to Female, IP67
Camera coaxial Cable	SG-JSZJSZ7000L	7M, Female to Female, IP67
Camera coaxial Cable	SG-JSZJSZ8000L	8M, Female to Female, IP67
Camera coaxial Cable	SG-JSZPSZL100L	10M, Male to Female, IP67
Camera coaxial Cable	SG-JSZJSZL100L	10M, Female to Female, IP67
Camera coaxial Cable	SG-JSZJSZL120L	12M, Female to Female, IP67
Camera coaxial Cable	SG-JSZJSZL160L	16M, Female to Female, IP67
Camera coaxial Cable	SG-JSZJSZL200L	20M, Female to Female, IP67





Revision History

Version	Description	Release date
Rev1	First Release	Oct.2020
Rev2	<ul style="list-style-type: none">→ Update Connector description→ Update Cable→ Add block diagram	Mar.2023





Contact Us

ShenZhen SENSING Technology Co.,Ltd.

HQ Address: 8/F,block B, building 1,wisdom home,No.76,Baohe Avenue,Baolong street, Longgang District, Shenzhen

Phone: +86-755-28990915

Email: Sales@sensing-world.com

Company Website: www.sensing-world.com

Online Message: <https://www.sensing-world.com/lxwm>



WECHAT



SKYPE



WhatsApp

