

SG2-IMX390C-MIPI-HXXX

2MP MIPI CAMERA

GENERAL DESCRIPTION

The camera is equipped with SONY CMOS image ,is supplied with an M12 lens that is focused and glued in our factory, can be adapted to difference SOC platforms.



KEY PARAMETERS

Sensor	SONY 2.12MP IMX390 RGGB
ISP	/
Image Size	1/2.7 inch CMOS
Output Pixels	1920H*1080V
Frame Rate	Up to 60 fps
Pixel Size	3um
HDR Support	Yes
Output data	MIPI/RAW@10bit/12bit
Power Supply	3.3V
Current	<300mA@3.3VDC
Camera interface	FPC
Connector	FH67-30S-0.5SV
Operating temp.	-40~+85°C
Dimensions	W: 20mm, L:35mm, H:25mm
Weight	<50g

Features

- Output format: Uncompressed RAW format
- Industrial high performance
- Support different focal length lens
- Support external triggering
- Multi-Camera synchronization

Application

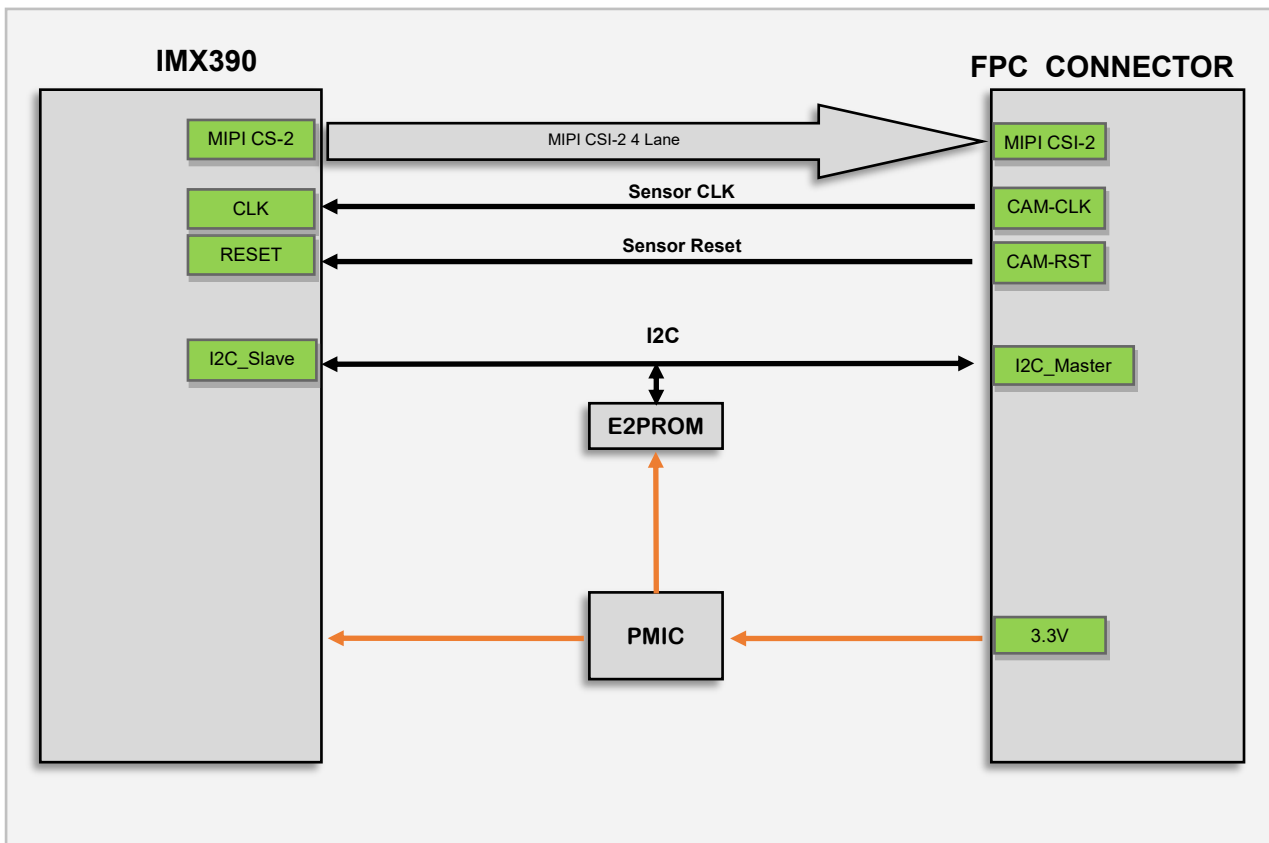
- Machine-vision
- Intelligent transportation
- Aeronautics and Astronautics
- Industrial inspection



 **HARDWARE SETTING**

EEPROM	
I2C Address	0xA0(8bit address)

Sensor	
Model	IMX390
I2C Address	0x20 (8bit address)



Block Diagram



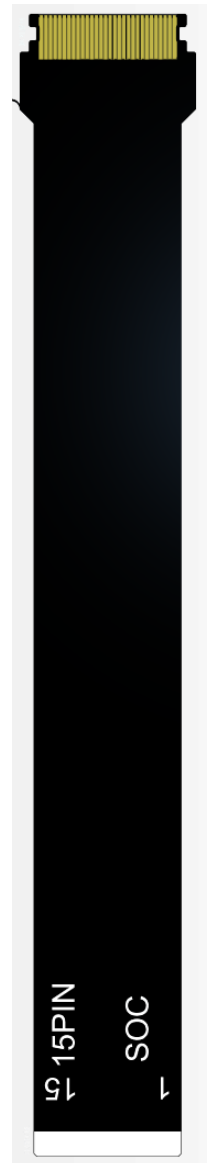


Pin Definitions

Through 2 types of FPC cables, 15pin and 22pin signals can be output. Different specifications can be selected according to the needs.

Part number	Name	description	remark
339901-0010	22Pin FPC	Spacing 0.5mm	Jetson Orin Nano/NX DK 4lane
339901-0011	15Pin FPC	Spacing 1mm	Jetson Nano/Raspberry Pi 2lane

15Pin	
1	GND
2	D1N
3	D1 P
4	GND
5	D2 N
6	D2 P
7	GND
8	CLK N
9	CLK P
10	GND
11	SENSOR-RESETn
12	CAM-CLK
13	CAM-SCL
14	CAM-SDA
15	VCC-3.3V

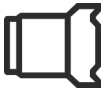




Pin Definitions

22Pin	
1	GND
2	D1 N
3	D1 P
4	GND
5	D2 N
6	D2 P
7	GND
8	CLK N
9	CLK P
10	GND
11	D3 N
12	D3 P
13	GND
14	D4 N
15	D4 P
16	GND
17	SENSOR-RESETn
18	CAM-CLK
19	GND
20	CAM-SCL
21	CAM-SDA
22	VCC-3.3V



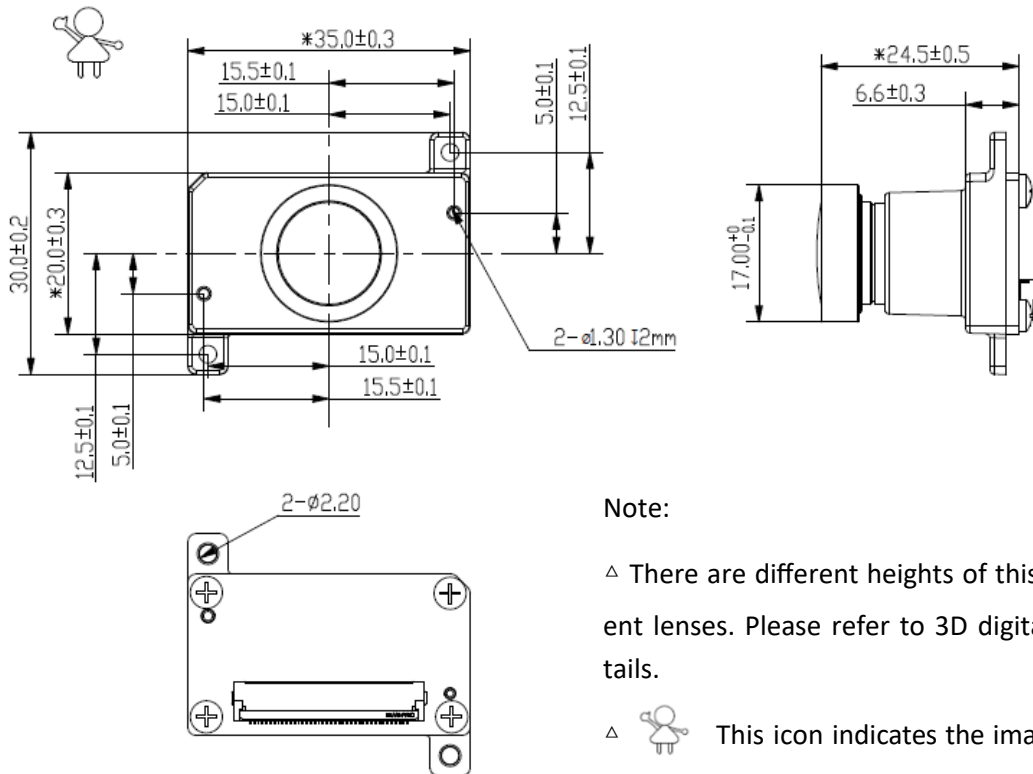


MODEL AND LENS

Model	HFOV	VFOV	F.No	EFL	Max Optical Distortion	Lens Mount
SG2-IMX390C-MIPI-H30X	30°	17°	1.6	10.96mm	-2%	M12
SG2-IMX390C-MIPI-H60F	60°	32°	1.6	5.8mm	-21.5%	M12
SG2-IMX390C-MIPI-H100F1	100°	53°	1.6	3.55mm	-45%	M12
SG2-IMX390C-MIPI-H120H	118°	62°	2.0	3mm	-62%	M12



DIMENSIONS





PLATFORMS SUPPORT

Platforms	Product Link
<p>NVIDIA Jetson Platforms (Jetson Orin Nano/NX)</p> 	<p>Provide development driver package</p> <p>https://www.sensing-world.com/jetson_camera_ecosystem</p> 





Revision History

Version	Description	Release date
Rev1.0	First Release	2023.04
Rev1.1	Added remarks about FPC	2023.06





Contact Us

SZ Sensing TECH., LTD

HQ Address: 8/F,block B, building 1,wisdom home,No.76,Baohe Avenue,Baolong street, Longgang District, Shenzhen

Phone: +86-755-28990915

Email: Sales@sensing-world.com

Company Website: www.sensing-world.com

Online Message: <https://www.sensing-world.com/lxwm>



WECHAT



SKYPE



WhatsApp

