

8MP GMSL2 CAMERA

GENERAL DESCRIPTION

The camera is equipped with OMNIVISION CMOS image sensor OX08D10 and Maxim GMSL2(MAX9295A).It has an automotive-grade sensor , which comes with an IP67-rated enclosure – is supplied with AA lens that is focused and glued in our factory.



KEY PARAMETERS

Sensor	OMNIVISION 8.3MP OX08D10 RGGB
ISP	/
Image Size	1/1.73 inch CMOS
Output Pixels	3840H*2160V
Pixel Size	2.1um*2.1um
Frame Rate	Max 45fps
HDR Support	Yes
LFM	Yes
Output data	RAW 12
Serializer	MAXIM MAX9295A
Camera Interface	GMSL2
Power Supply	9~16V POC
Current	<350mA@12VDC
Connector	Amphenol (Z Type Fakra)
Operating temp. range	-40~+85°C
Dimensions	W: 30mm, L:30mm, H:22.5mm
Weight	<100g



Features

- Output format: Uncompressed RAW format
- AA/S-mount IP67 compliant lens focused and glued at our factory
- Multi-Camera synchronization Support
- Support different focal length lens
- External trigger support



Application

- Automotive
- ADAS + Viewing Fusion
- High Dynamic Range Imaging
- Autonomous Driving
- Robots





HARDWARE SETTING

Serializer	
Model	Max9295A
I2C Address	0x80(8bit address)
Rate	GMSL2(6Gbps)

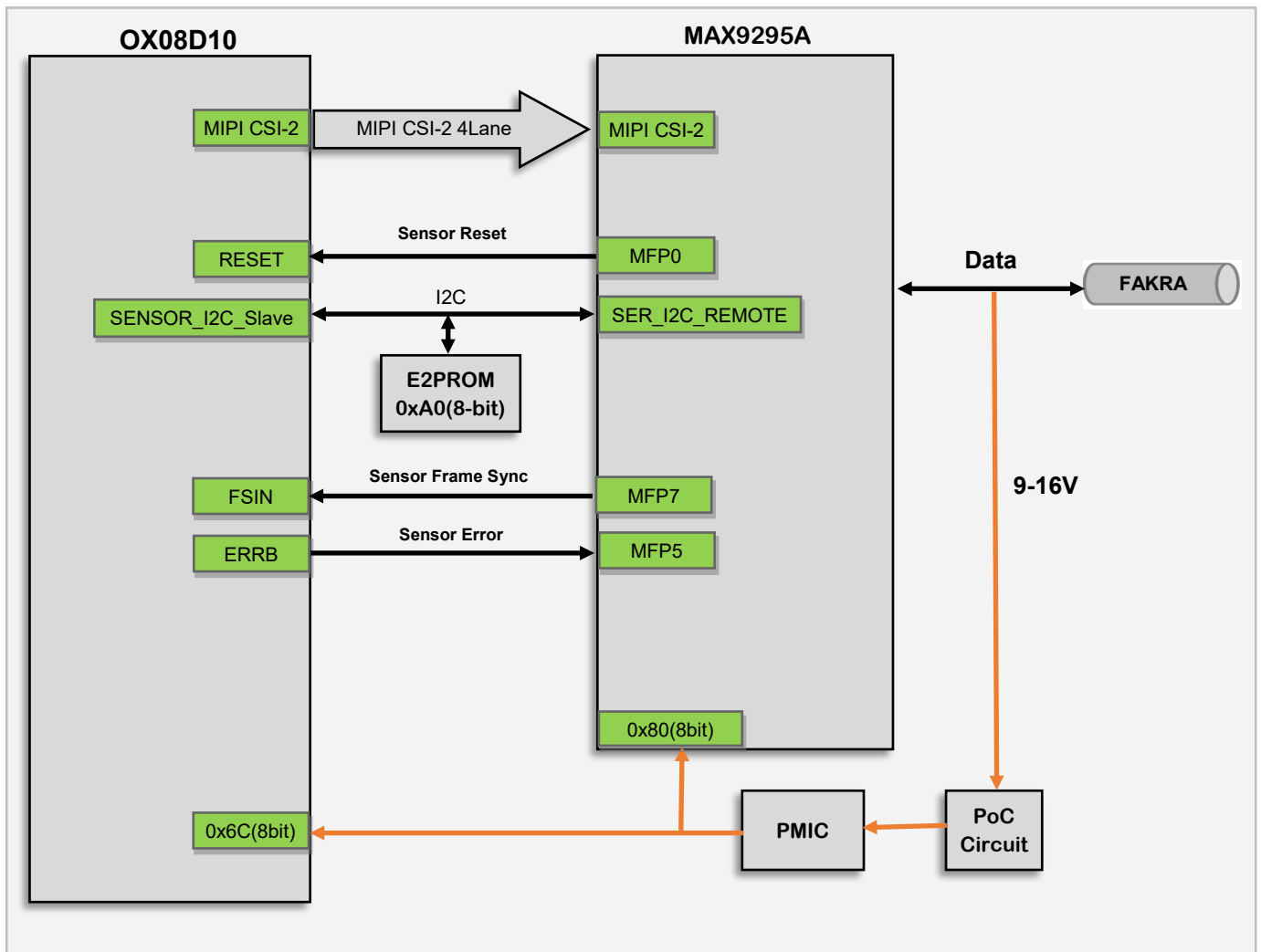
Sensor	
Model	OX08D10
I2C Address	0x6C (8bit address)
Reset	Controlled by Max9295A MFP0
Error	Controlled by Max9295A MFP5
Frame Sync	Controlled by Max9295A MFP7

Interface Circuit Diagram





BLOCK DIAGRAM



Block Diagram

- ※ The camera module does not have an ISP that outputs RAW data. The backend need to configure an image sensor and SerDes;
- ※ For SerDes setting code, please contact Sales@sensing-wolrd.com;
- ※ The camera support store camera internal parameters, if you need to obtain the internal parameters reading method, please note before placing the order.



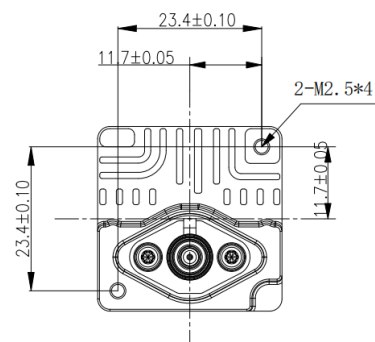
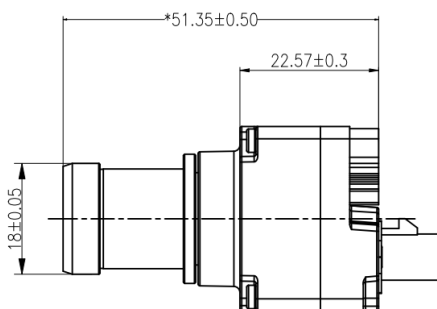
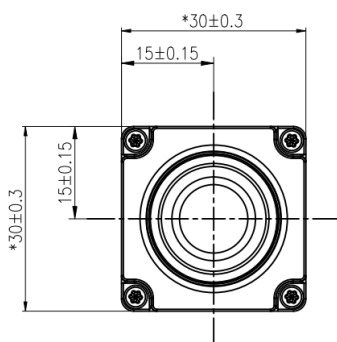


MODEL AND LENS

Model	HFOV	VFOV	F.No	EFL	Max Optical Distortion	Water-proof	Lens Mount
SG8-OX08DC-G2A-H30YA	30°	17°	1.6	15.3mm	-2.7%	IP67	AA
SG8-OX08DC-G2A-H60SA	60°	33°	1.8	7.87mm	-14%	IP67	AA
SG8-OX08DC-G2A-H120YA	120°	66°	1.6	4.01mm	-57.9%	IP67	AA



DIMENSIONS



Dimension

Note:

The height of this module varies when matching different lenses. Please refer to 3D digital analog size for details.




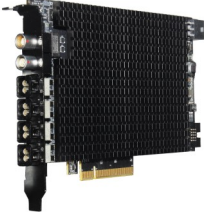


This icon indicates the imaging direction is positive.





PLATFORMS SUPPORT

Platforms	Product Link
<p>NVIDIA Jetson platforms</p> 	<p>Provide development driver package</p> <p>https://www.sensing-world.com/jetson_camera_ecosystem/</p> 
<p>SerDes Camera to USB Converter</p>	<p>Compatible with UVC protocol, providing upper computer acquisition software</p> <p>https://www.sensing-world.com/USB_Converter/</p> 
<p>CoaxCapture II GMSL Capture Card</p>	<p>Provide development driver package</p> <p>https://www.sensing-world.com/Coaxcapture_Card/</p> 

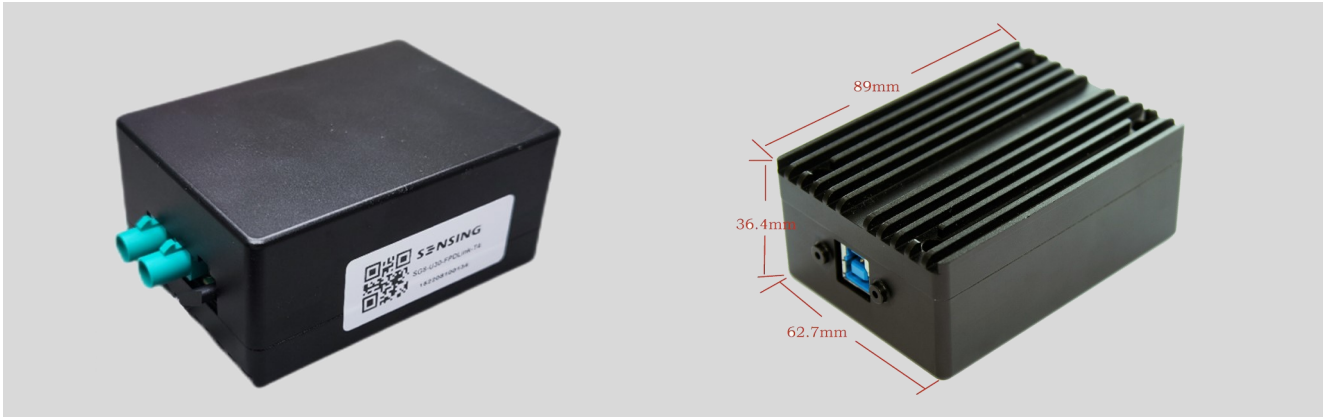
For development support, please contact Sales@sensing-wolrd.com;





DEVELOPMENT KIT

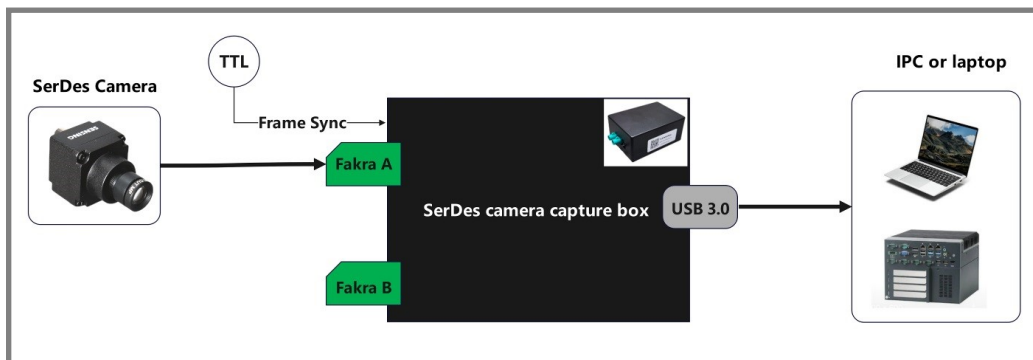
◇ SerDes Camera to USB Converter



- SG8-OX08DC-G2A can connect to **SG8-U30-GMSL2** as a USB 3.0 camera .
- USB Camera Part Number: **SG8-OX08DC-G2A-U30-Hxxx** (include 1xSG8-U30-GMSL2 and 1xSG8-OX08DC-G2A)

◇ KEY FEATURES

- USB 3.0 Super Speed support
- UVC compliance
- Provide customization services
- Power Supply by USB interface
- Weight: <300g
- Single Coax Cable transmit up to 20 meters PoC (Power over Cable)
- Support Windows only

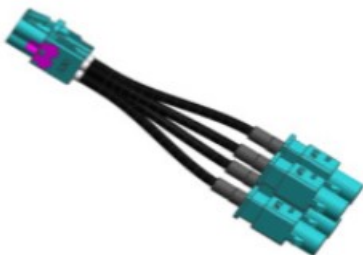




ACCESSORIES

◇ **Coaxial Cable**

Product Name	Order PN#	Specification
Mini-fakra Coaxial Cable 4-in-1(Rosenberg)	R4JC-JC-ZZZZ-0500L	Mini-fakra, 4 in 1, 0.5m, Female to Female
Mini-fakra Coaxial Cable 4-in-1 (TE)	T4JC-PC-ZZZZ-0500A	Mini-fakra, 4 in 1, 0.5m, Male to Female
Mini-fakra Coaxial Cable 4-in-1(Rosenberg)	R4JC-PC-ZZZZ-0500L	Mini-fakra, 4 in 1, 0.5m, Male to Female
Mini-fakra Coaxial Cable 4-in-1 (TE)	T4JC-JC-ZZZZ-0500A	Mini-fakra, 4 in 1, 0.5m, Female to Female
Camera coaxial Cable	SG-JSZPSZ2000L	2M, Male to Female, IP67
Camera coaxial Cable	SG-JSZJSZ2000L	2M, Female to Female, IP67
Camera coaxial Cable	SG-JSZPSZ3000L	3M, Male to Female, IP67
Camera coaxial Cable	SG-JSZJSZ3000L	3M, Female to Female, IP67
Camera coaxial Cable	SG-JSZPSZ5000L	5M, Male to Female, IP67
Camera coaxial Cable	SG-JSZJSZ5000L	5M, Female to Female, IP67
Camera coaxial Cable	SG-JSZJSZ7000L	7M, Female to Female, IP67
Camera coaxial Cable	SG-JSZJSZ8000L	8M, Female to Female, IP67
Camera coaxial Cable	SG-JSZPSZL100L	10M, Male to Female, IP67
Camera coaxial Cable	SG-JSZJSZL100L	10M, Female to Female, IP67
Camera coaxial Cable	SG-JSZJSZL120L	12M, Female to Female, IP67
Camera coaxial Cable	SG-JSZJSZL160L	16M, Female to Female, IP67
Camera coaxial Cable	SG-JSZJSZL200L	20M, Female to Female, IP67





Revision History

Version	Description	Release date
Rev1	First Release	May.2024





Contact Us

SZ Sensing TCEH CO.,LTD

HQ Address: 8/F, block B, building 1,wisdom home,No.76,Baohe Avenue, Baolong street, Longgang District, Shenzhen

Phone: +86-755-28990915

Email: Sales@sensing-world.com

Company Website: www.sensing-world.com

Online Message: <https://www.sensing-world.com/lxwm>



WECHAT



SKYPE



WhatsApp

