

2MP GMSL2 CAMERA

GENERAL DESCRIPTION

The camera is equipped with SONY CMOS image sensor IMX390 and Maxim GMSL2. It has an automotive-grade , which comes with an IP67-rated enclosure – is supplied with an M12 lens that is focused and glued in our factory.



KEY PARAMETERS

Sensor	SONY 2.12MP IMX390 RGGB
ISP	/
Image Size	1/2.7 inch CMOS
Output Pixels	1920H*1080V
Pixel Size	3um*3um
Frame Rate	Max 30fps
HDR Support	Yes
LFM	Yes
Output data	MIPI / RAW 12
Serializer	MAXIM MAX9295A
Camera Interface	GMSL2
Power Supply	9~16V POC
Current	<250mA@12VDC
Connector	Amphenol Fakra (Z Code)
Operating temp. range	-40~+85°C
Dimensions	W: 30mm, L:30mm, H:22.5mm
Weight	<50g

Features

- Output format: Uncompressed RAW format
- S-mount IP67 compliant lens focused and glued at our factory
- Multi-Camera synchronization Support
- Support different focal length lens
- FCC , CE and RoHS

Application

- Automotive
- ADAS + Viewing Fusion
- High Dynamic Range Imaging
- Autonomous Driving
- Robots





HARDWARE SETTING

Serializer	
Model	Max9295A
I2C Address	0x80 (8bit address)
GMSL Rate	GMSL2 (6G bps)

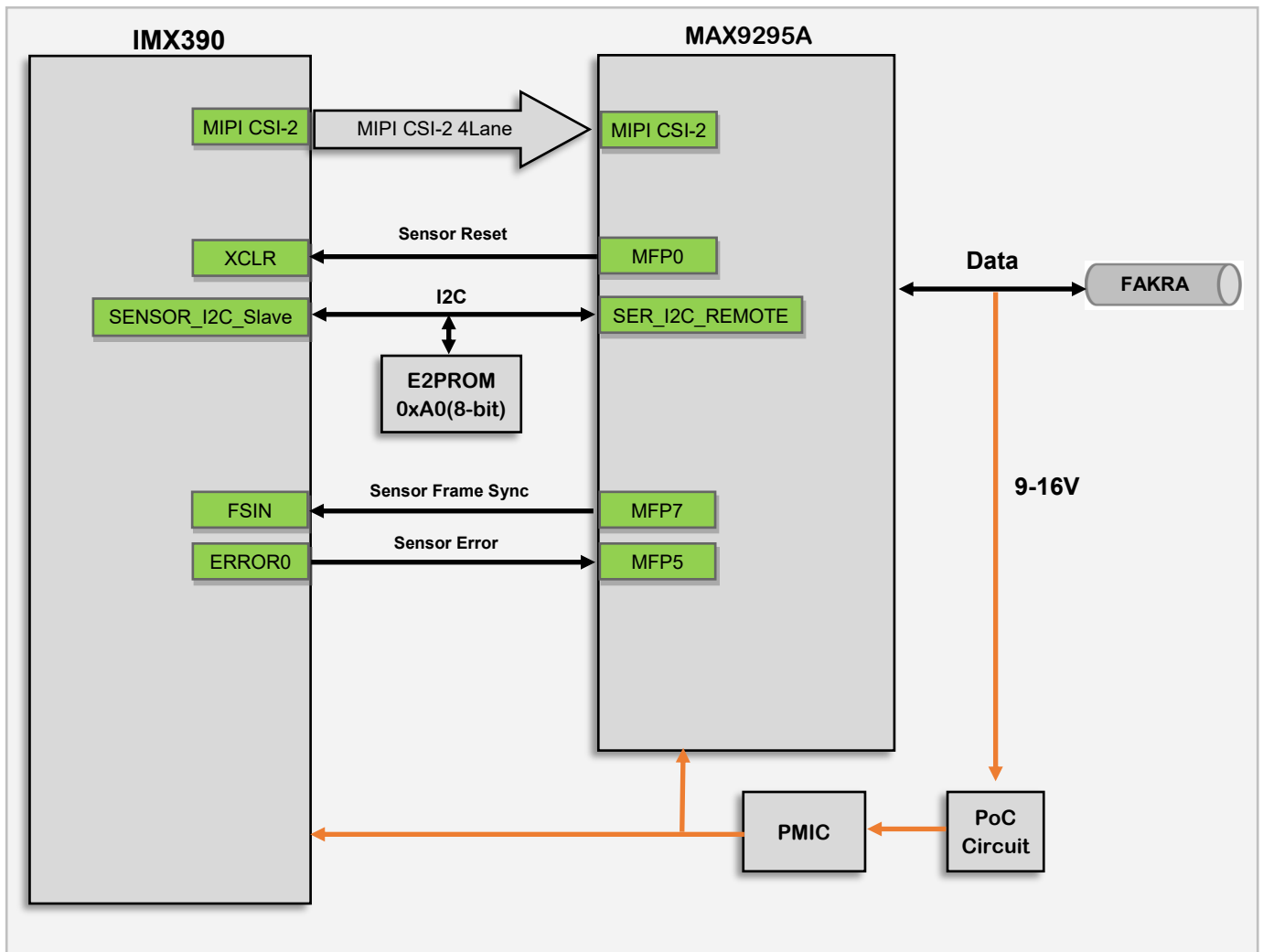
Sensor	
Model	IMX390
I2C Address	0x42 (8bit address)
Reset	Controlled by Max9295A MFP0
Frame Sync	Controlled by Max9295A MFP7
Error	Controlled by Max9295A MFP5

Interface Circuit Diagram





BLOCK DIAGRAM



Block Diagram

- ※ The camera module does not have an ISP that outputs RAW data. The backend does not need to configure an image sensor, but only needs to configure SerDes;
- ※ For SerDes setting code, please contact Sales@sensing-wolrd.com ;
- ※ The camera has built-in **E2PROM**, which can store camera internal parameters, please note before placing the order;



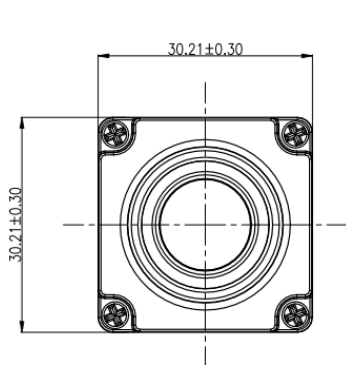


MODEL AND LENS

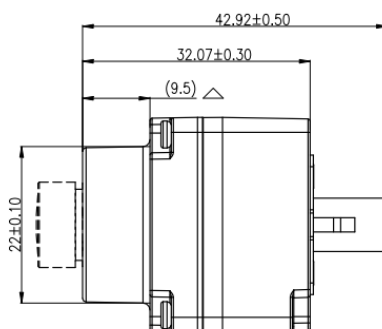
Model	HFOV	VFOV	F.No	EFL	Max Optical Distortion	Water-proof	Lens Mount
SG2-IMX390C-GMSL2-H30X	30°	17°	1.6	10.96mm	-2%	IP67	M12
SG2-IMX390C-GMSL2-H60F	60°	32°	1.6	5.8mm	-21.5%	IP67	M12
SG2-IMX390C-GMSL2-H100F1	100°	53°	1.6	3.55mm	-45%	IP67	M12
SG2-IMX390C-GMSL2-H120H	118°	62°	2.0	3mm	-62%	IP67	M12
SG2-IMX390C-GMSL2-H190X	196°	112°	2.0	1.51mm	-155%	IP67	M12



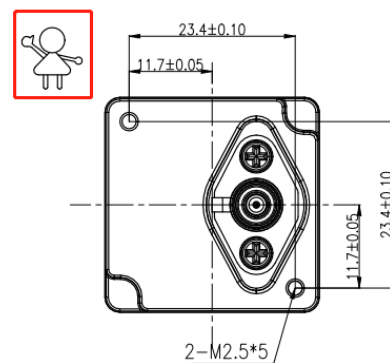
DIMENSIONS



Front View




Side View



Rear View

Note:

△ There are two different heights of this size to match different lenses. Please refer to 3D digital analog size for details.


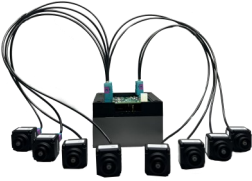
 This icon indicates the imaging direction is positive.

Dimension





PLATFORMS SUPPORT

Platforms	Product Link
<p>NVIDIA Jetson platforms</p> 	<p>Provide development driver package</p> <p>https://www.sensing-world.com/jetson_camera_ecosystem</p> 
<p>SerDes Camera to USB Converter</p>	<p>Not Supported</p>
<p>CoaxCapture II GMSL Capture Card</p>	<p>Not Supported</p>

※ For development support, please contact Sales@sensing-wolrd.com;

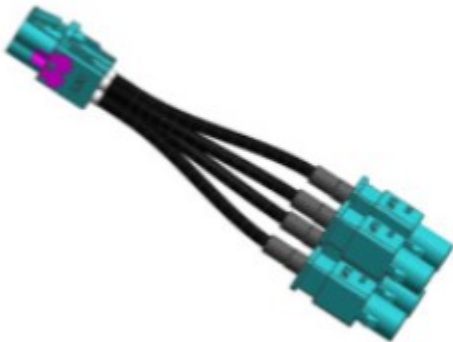




ACCESSORIES

◇ **Coaxial Cable**

Product Name	Order PN#	Specification
Mini-fakra Coaxial Cable 4-in-1 (TE)	T4JC-JS-ZZZZ-0500A	Mini-fakra, 4 in 1, 0.5m, Male to Female
Mini-fakra Coaxial Cable 4-in-1(Rosenberg)	R4PC-JS-ZZZZ-0500L	Mini-fakra, 4 in 1, 0.5m, Male to Female
Mini-fakra Coaxial Cable 4-in-1(Rosenberg)	R4JC-JS-ZZZZ-0500L	Mini-fakra, 4 in 1, 0.5m, Female to Female
Camera coaxial Cable	SG-JSZPSZ2000L	2M, Male to Female, IP67
Camera coaxial Cable	SG-JSZJSZ2000L	2M, Female to Female, IP67
Camera coaxial Cable	SG-JSZPSZ3000L	3M, Male to Female, IP67
Camera coaxial Cable	SG-JSZJSZ3000L	3M, Female to Female, IP67
Camera coaxial Cable	SG-JSZPSZ5000L	5M, Male to Female, IP67
Camera coaxial Cable	SG-JSZJSZ5000L	5M, Female to Female, IP67
Camera coaxial Cable	SG-JSZJSZ7000L	7M, Female to Female, IP67
Camera coaxial Cable	SG-JSZJSZ8000L	8M, Female to Female, IP67
Camera coaxial Cable	SG-JSZPSZL100L	10M, Male to Female, IP67
Camera coaxial Cable	SG-JSZJSZL100L	10M, Female to Female, IP67
Camera coaxial Cable	SG-JSZJSZL120L	12M, Female to Female, IP67
Camera coaxial Cable	SG-JSZJSZL160L	16M, Female to Female, IP67
Camera coaxial Cable	SG-JSZJSZL200L	20M, Female to Female, IP67





Revision History

Version	Description	Release date
Rev1	First Release	Oct.2020
Rev2	<ul style="list-style-type: none">→ Update connector description→ Update cable information→ Add block diagram→ Add supported platforms	Mar.2023





Contact Us

ShenZhen SENSING Technology Co.,Ltd.

HQ Address: 8/F,block B, building 1,wisdom home,No.76,Baohe Avenue,Baolong street, Longgang District, Shenzhen

Phone: +86-755-28990915

Email: Sales@sensing-world.com

Company Website: www.sensing-world.com

Online Message: <https://www.sensing-world.com/lxwm>



WECHAT



SKYPE



WhatsApp

